

IJP 12C

Specifications

Issued on March 01, 2023

3rd edition

Preface

Be sure to read this manual carefully to gain a thorough understanding of the correct procedures before servicing this product.

This product uses ground wire fixing screws.

When attaching the screws once removed, make sure they are on their original positions.

Those screws are used at positions that need to be grounded.

- The contents of this manual are subject to change without notice.
- Photos and illustrations in this manual may vary depending on model and manufacturing lot.

IJP 12C Specifications

- 1 Specifications
- 2 Processing capability
- 3 Dimensions and required space
- 4 Accessories
- 5 Optional parts and consumable parts
- 6 Others

1 Specifications

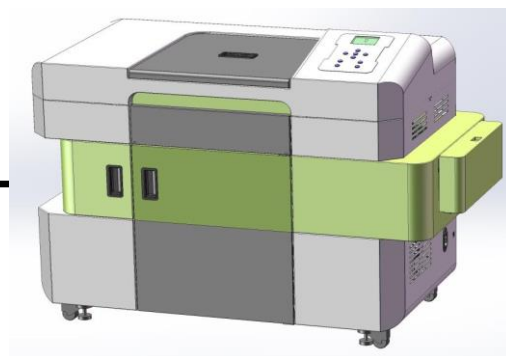
IJP 12C (one unit) requires one PC.

Operation PC



Prepared by user

LAN cable
Customer preparation



IJP 12C

- Prepare a PC and LAN cable by yourself.
- The specifications of the PC will be described later.

| | |
|----------------------|--|
| Required space | For details, see “Dimensions and required space.” <u>Printer footprint</u> • 3.7 m ² (The floor must not sink or tilt.) |
| Overall dimensions | (W) 1129 mm x (D) 977 mm x (H) 870 mm |
| Weight | Printer gross weight: Approx. 110 kg (Paper, ink cartridges, and optional parts are not included.) |
| Rated capacitance | 990 VA or below |
| Power capacity | 220 VAC±10% 5 A single-phase two-wire system Use a grounding receptacle for the main power supply. |
| Power frequency | 50Hz |
| Print system | Inkjet type |
| Print resolution | 720 dpi x 720 dpi / 720 dpi x 1080 dpi / 720 dpi x 1440 dpi |
| Print size | Paper width 4 in. (102 mm), 5 in. (127 mm) 6 in. (152 mm), 8 in. (203 mm) 10 in. (254 mm), 12 in. (305 mm) |
| Paper advance length | 88.9mm~1000mm |
| Paper type | Glossy, semi-glossy Roll paper only (Do not use sheet paper.) |

| | | | |
|---|--|------|-----|
| Maximum number of sheets in the tray (Print receiving tray) | 102 mm or less: 100 sheets Above 103 mm, 178 mm or less: 50 sheets Above 179 mm, 254 mm or less: 30 sheets Above 255 mm, 305 mm or less: 30 sheets Above 306 mm, 457 mm or less: 1 sheet (The conditions of the maximum number of sheets above may not be met when print curl is strong.) | | |
| Ink | Ink type 6 colors (Black, Cyan, Magenta, Yellow, Light cyan, Light magenta) | | |
| Ink capacity | 440 mL/cartridge (1 color) | | |
| Heating capacity | Approx. 990 W | | |
| Life Expectancy | 100000 roll paper prints or 5 years, whichever comes first (The life expectancy is not a warranty period.) | | |
| Dimension of paper cut waste | Leading edge | 20mm | |
| | Between printing | BL | 4mm |
| | | WB | 4mm |

Operation PC

The minimum specifications of the PC to be prepared by user are as follows.

| Item | | Description |
|-----------------|---------------|--|
| PC | | WindowsPC |
| OS | | Windows 10 Professional 64 bit ^{*1} |
| CPU | | Pentium Core i5 or higher |
| Memory capacity | | 8 GB or more |
| Drive | DVD-ROM drive | 1 pc |
| | Hard disk | 500 GB or more |
| Interface | LAN | Ethernet 1000Base-T (For connecting the printer*2, mouse, and keyboard) |

*1 The OS must be installed on drive C.

*2 The following conditions must be satisfied.

LAN cable



| | | |
|-----------------------------|--------------|--------------|
| LAN logo certification mark | CAT 7A | Recommended |
| | CAT 7 | |
| | CAT 6A | |
| | CAT 6 | |
| | CAT 5e | Unacceptable |
| | CAT 5 | |
| | CAT 4 | |
| | CAT 3 | |
| No mark | | |
| Length | 20 m or less | |

- The cable must be of a length enough to reach from the user's installation location to the PC and printer.
Using a cable longer than the specified length may deteriorate communication.

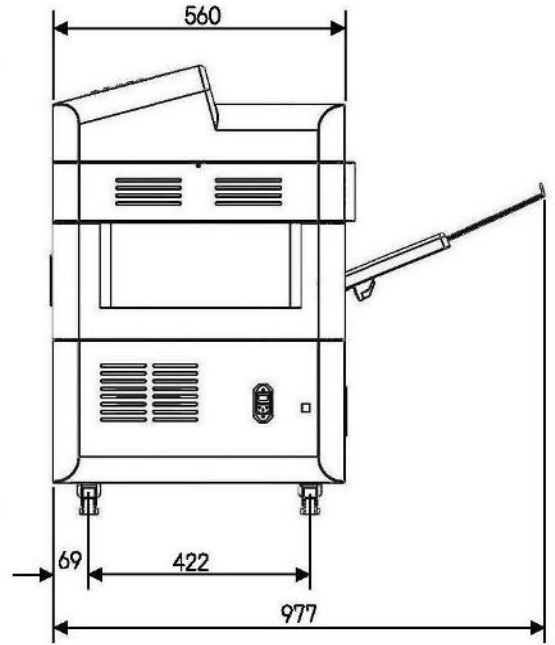
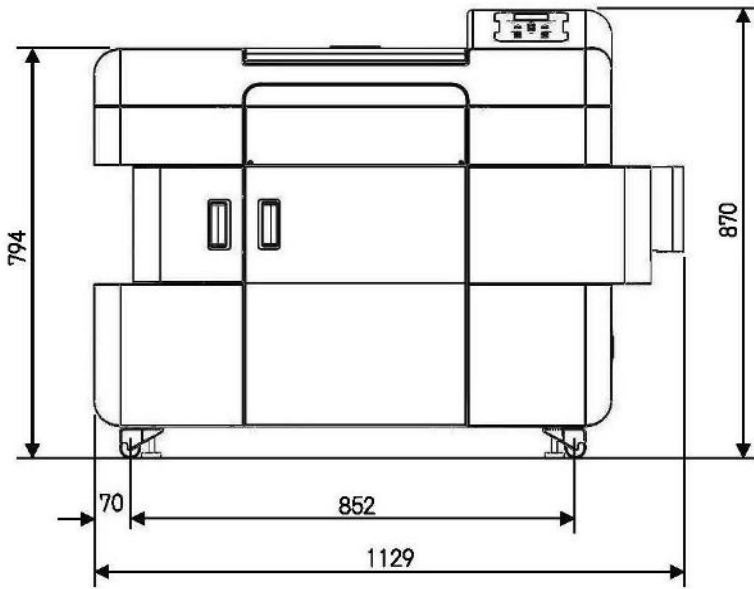
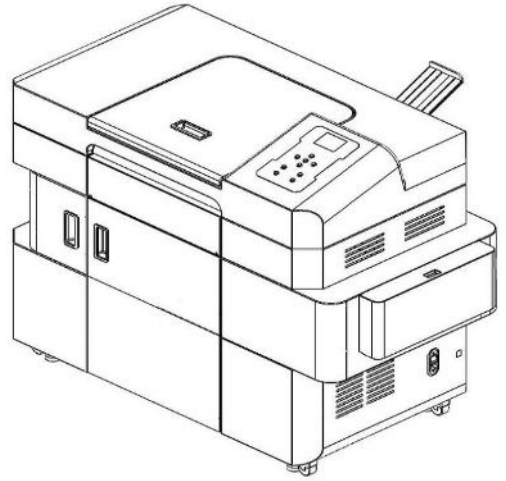
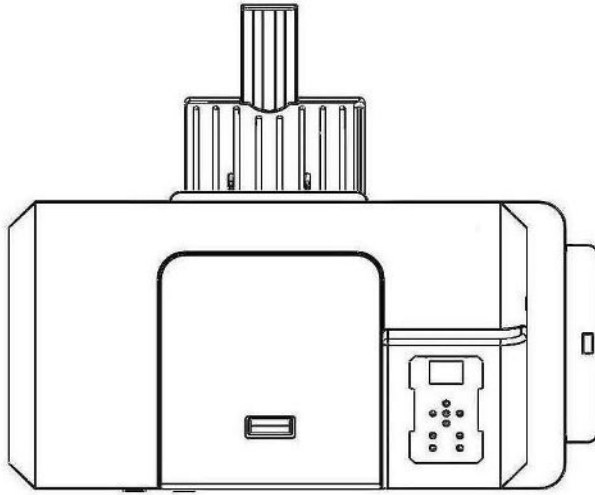
※ To enable printing with this product, the software of the controller must be installed to the operation PC.

2 Processing capability

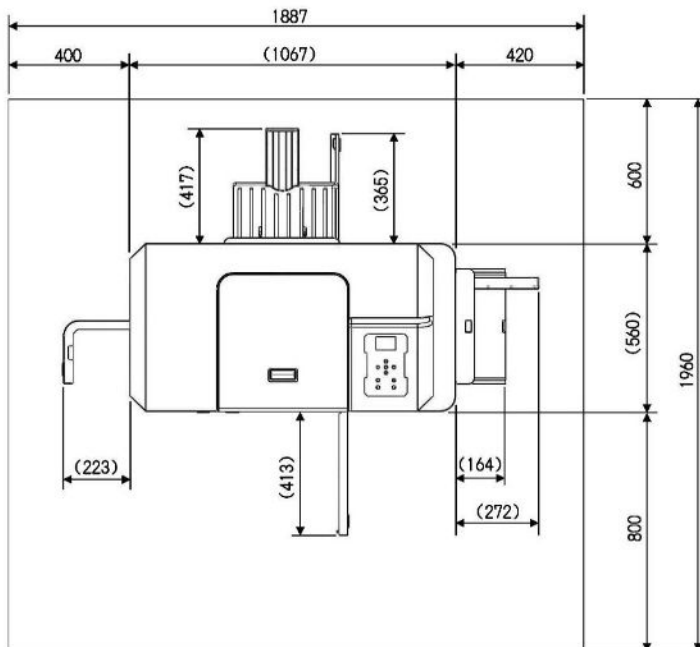
| Print size (Unit: mm) <Paper width X Advance length> | Print resolution (Unit: dpi) | | |
|---|------------------------------|------------|------------|
| | 720 X 720 | 720 X 1440 | 720 X 1440 |
| 127 X 89 | 323 | 166 | 68 |
| 127 X 178 | 170 | 87 | 34 |
| 152 X 102 | 275 | 138 | 56 |
| 152 X 203 | 143 | 71 | 28 |
| 203 X 254 | 62 | 42 | 16 |
| 203 X 305 | 52 | 35 | 13 |
| 254 X 305 | 49 | 32 | 12 |
| 305 X 305 | 45 | 30 | 12 |
| 305 X 457 | 30 | 20 | 8 |
| 305 X 914 | 15 | 10 | 4 |

Calculated based on our standards. Actual processing capability may differ depending on various conditions.

3 Dimensions and required space



Required space



4 Accessories

- Power cable 1 pc
- Spindle unit 1 set
- Paper cut waste box(Set on the main unit) 1 set
- Print receiving tray 1 set
- Paper rolling-in prevention bracket 1 set
- Waste tank(Set on the main unit) 1 set
- Tweezers 1 pc
- Pole for lift up 1 pc
- Pinch roller unit 1 set
- DVD-R 1 pc
(Specifications, Operator's Manual,
Parts list, PrintX)
- 12C Initial Data from Factory 1 pc

6 Optional parts and consumable parts

- Options

| Part number | Name | Remarks |
|-------------|--------------|-----------------------------------|
| H069100-00 | Spindle unit | Use to set a roll to the printer. |

- Consumables

Use the specified ink cartridges and roll paper.

If you use any ink cartridge or roll paper not specified here, we do not guarantee printing behavior and print quality.

| Part number | Name | Remarks |
|-------------|--------------------|---------|
| H086122-00 | Ink cartridge (Y) | 440ml |
| H086123-00 | Ink cartridge (M) | 440ml |
| H086124-00 | Ink cartridge (C) | 440ml |
| H086125-00 | Ink cartridge (BK) | 440ml |
| H086126-00 | Ink cartridge (LM) | 440ml |
| H086127-00 | Ink cartridge (LC) | 440ml |

| Part number | Name | Remarks |
|-------------|------------------------------|---|
| H073269-00 | Roll paper (Glossy) 102 | W 102 mm X 100 m X 4 rolls (without logo on the back) |
| H073270-00 | Roll paper (Glossy) 127 | W 127 mm X 100 m X 4 rolls (without logo on the back) |
| H073271-00 | Roll paper (Glossy) 152 | W 152 mm X 100 m X 4 rolls (without logo on the back) |
| H073272-00 | Roll paper (Glossy) 203 | W 203 mm X 100 m X 4 rolls (without logo on the back) |
| H073273-00 | Roll paper (Glossy) 254 | W 254 mm X 100 m X 4 rolls (without logo on the back) |
| H073274-00 | Roll paper (Glossy) 305 | W 305 mm X 100 m X 4 rolls (without logo on the back) |
| H073275-00 | Roll paper (Semi-glossy) 102 | W 102 mm X 100 m X 4 rolls (without logo on the back) |
| H073276-00 | Roll paper (Semi-glossy) 127 | W 127 mm X 100 m X 4 rolls (without logo on the back) |
| H073277-00 | Roll paper (Semi-glossy) 152 | W 152 mm X 100 m X 4 rolls (without logo on the back) |
| H073278-00 | Roll paper (Semi-glossy) 203 | W 203 mm X 100 m X 4 rolls (without logo on the back) |
| H073279-00 | Roll paper (Semi-glossy) 254 | W 254 mm X 100 m X 4 rolls (without logo on the back) |
| H073280-00 | Roll paper (Semi-glossy) 305 | W 305 mm X 100 m X 4 rolls (without logo on the back) |
| H073317-00 | Roll paper (Glossy) 102 | W 102 mm X 100 m X 4 rolls (with logo on the back) |
| H073318-00 | Roll paper (Glossy) 127 | W 127 mm X 100 m X 4 rolls (with logo on the back) |
| H073319-00 | Roll paper (Glossy) 152 | W 152 mm X 100 m X 4 rolls (with logo on the back) |
| H073320-00 | Roll paper (Glossy) 203 | W 203 mm X 100 m X 4 rolls (with logo on the back) |
| H073321-00 | Roll paper (Glossy) 254 | W 254 mm X 100 m X 4 rolls (with logo on the back) |
| H073322-00 | Roll paper (Glossy) 305 | W 305 mm X 100 m X 4 rolls (with logo on the back) |
| H073323-00 | Roll paper (Semi-glossy) 102 | W 102 mm X 100 m X 4 rolls (with logo on the back) |
| H073324-00 | Roll paper (Semi-glossy) 127 | W 127 mm X 100 m X 4 rolls (with logo on the back) |
| H073325-00 | Roll paper (Semi-glossy) 152 | W 152 mm X 100 m X 4 rolls (with logo on the back) |
| H073326-00 | Roll paper (Semi-glossy) 203 | W 203 mm X 100 m X 4 rolls (with logo on the back) |
| H073327-00 | Roll paper (Semi-glossy) 254 | W 254 mm X 100 m X 4 rolls (with logo on the back) |
| H073328-00 | Roll paper (Semi-glossy) 305 | W 305 mm X 100 m X 4 rolls (with logo on the back) |

7 Others

Installation requirements

- Use this product at a relative humidity of 30% to 75% and a room temperature of 15°C to 30°C.
- Do not install this product in a dusty or shaky place.
- Do not raise or lower the room temperature suddenly. If the temperature is raised suddenly, condensation will occur inside this product, which will lead to failures such as malfunction of the electric PCB and paper jams.
- Casters are for moving this product on the floor. After the product is installed, be sure to lock the casters with the adjuster bolts.
- The inclination of the installation floor must be 6/1000 or less (1.5 div or less) to the level surface.
The floor surface under the casters must be free from any significant dent or bump, etc.
If the product is shaky, place a plate under the caster that is lifted.
- The installation floor of this product must have strength to support a weight of 400 kg/m².
- Store ink cartridges and roll paper in the following environment.
 - Storage environment of ink cartridges
Store packed and unopened ink cartridges at a temperature of 15°C to 30°C.
(If they need to be stored at a temperature of around 40°C, the maximum storage period is 1 month.)
<Important>
Before using ink cartridges, wait until they reach the operation temperature of this product.
 - Storage environment of roll paper
Store roll paper in the following environment, avoiding direct sunlight.
The storage environment of roll paper varies depending on whether or not they are unopened.
 - Unopened roll paper
Store roll paper at a relative humidity of 20% to 70% and a room temperature of 15°C to 30°C.

Opened roll paper

| Storage location | Storage environment | |
|---|---------------------|------------------|
| | Relative humidity | Room temperature |
| Packet (Store roll paper in the original bag.) | 20% to 70% | 15°C to 30°C |
| Printer interior | 30% to 70% | 15°C to 30°C |

- Once opened, we recommend that you use the paper within three months. Using roll paper that has been opened more than three months ago may deteriorate print quality.
- When storing unused roll paper, rewind it and put it in the original bag, and then put the bag in the packet.
- If roll paper is left loaded in the printer (for two days or more as a guide), paper quality may deteriorate.
- Keep roll paper dry.

Paper curl

- After printing, paper may curl.

Remaining ink in the ink cartridge

- To maintain stable ink injection performance, the ink cartridge is designed in such a way that a small amount of ink remains inside.
Remaining amount of ink vary depending on usage.

This specification is subject to change without notice.